

**Step 1:** Attach the Metal Humpstor Rifle Rack Backer Plate (4) to the Humpstor Lid (2) by removing the current hardware holding the metal handle (3) to the lid and re-attach the handle (4) and attach the Humpstor Rifle Rack Backer Plate (4) to the bottom of the Humpstor Lid (2) using supplied Screws #10-24 x 1.75 (5) and reuse the #10 washers (7), #10 Sealing Washers (8) and #10 Nylock Nuts (6). The metal plate is used to hold the Humpstor Rifle Rack Gun Hold Down (12) to the Humpstor Lid (2) when the lid is open.

**Step 2:** Attach 1/4 x 1.0 Carriage Bolts (15) to the Humpstor Gun Racks (13 & 14) by removing the top plastic rivets in the Humpstor Gun Racks (13 & 14), use a screw driver on each side to remove. Insert the 1/4 x 1.0 Carriage Bolts (15) into the holes the plastic rivets were in and secure with 1/4" Nuts (16) (Do Not Overtighten) The 1/4 x 1.0 Carriage Bolts can face either inward or outward just depends on how you want to utilize the Bungee Cords to hold your guns.

**Step 3:** Install the Humpstor Gun Racks (13 & 14) into the Humpstor Base (1) (these come standard with the Humpstor or All-Terrain) Slide them into the channel slots in the side walls of the Humpstor Base (1) They can be positioned in 3 locations on each end or in the center of the Humpstor Base (1). To install rotate horizontally above slot and rotate downward and slide into slot. Note - Stock of gun should rest in large groove; barrel should rest in small groove.

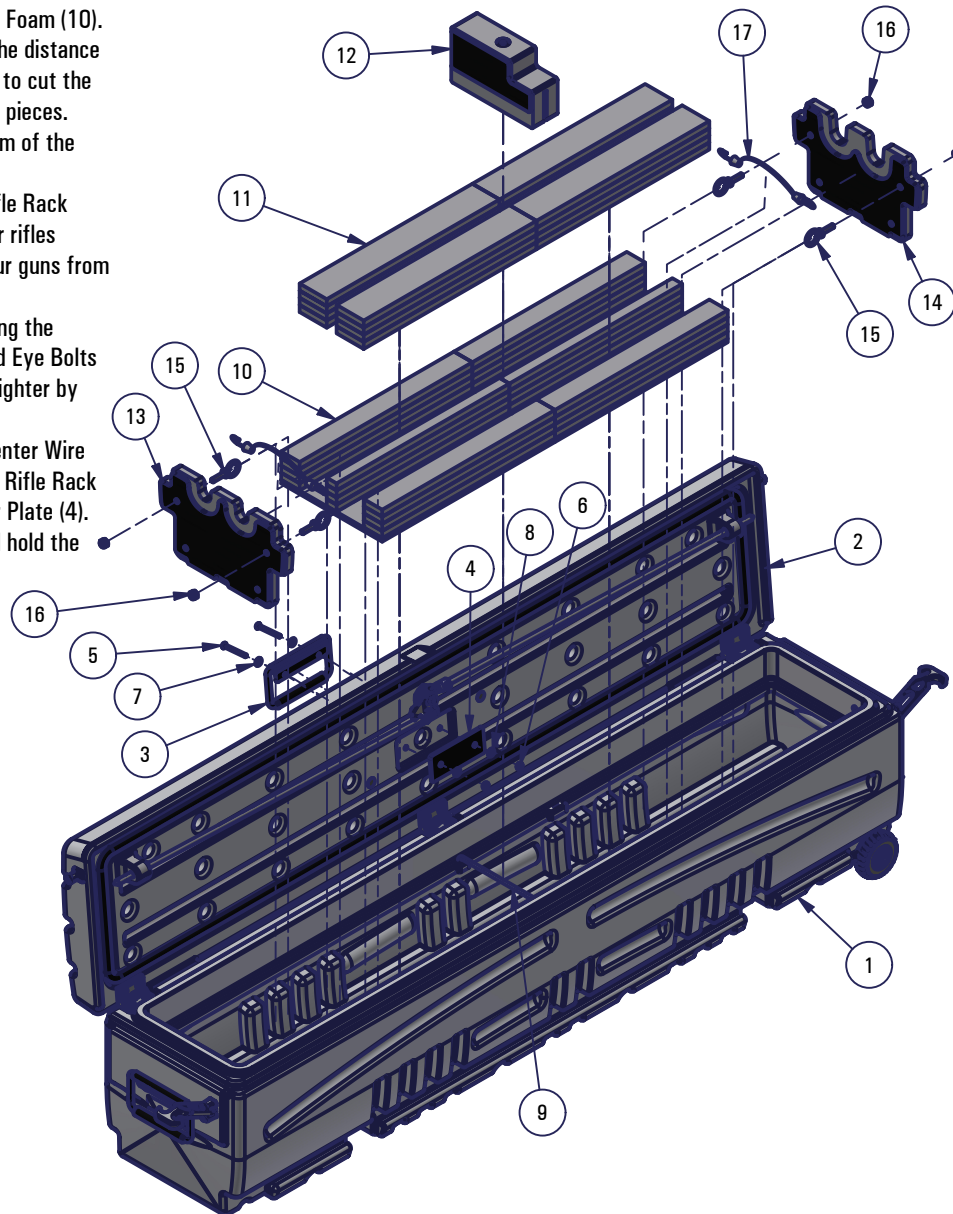
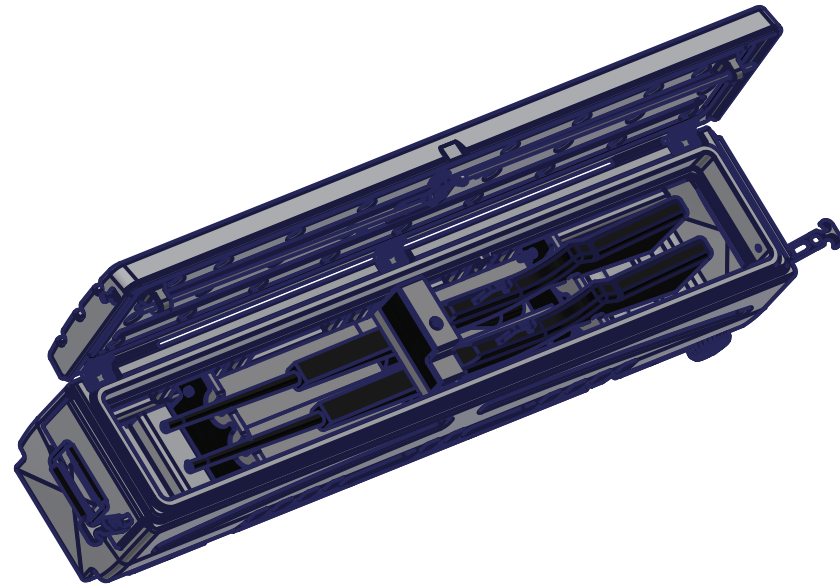
**Step 4:** Place your guns inside the Humpstor (1) (scope down) to determine if the Humpstor Gun Racks (13 & 14) need to be repositioned. Once you have them where you want them positioned you can install the Humpstor Rifle Rack Base Foam (10).

**Step 5:** Install the Humpstor Rifle Rack Base Foam (10) by measuring the distance between your Humpstor Rifle Racks (13 & 14) and using that dimension to cut the Humpstor Rifle Rack Base Foam (10) to that total length between the 2 pieces. Once cut, insert the Humpstor Rifle Rack Base Foam (10) into the bottom of the Humpstor Base (1) you may have to bend them to get them installed.

**Step 6:** Place your gun back into the Humpstor. Using the Humpstor Rifle Rack Filler Foam Pieces (11) cut them to length to fill the space between your rifles scope and the Humpstor Gun Racks (13 & 14). This will help to keep your guns from moving around.

**Step 7:** Secure your Rifles to the Humpstor Gun Racks (13 & 14) by using the supplied Bungee Cords (17) by attaching them to the previously installed Eye Bolts (15) over the top of your guns. **Note:** You can make the Bungee Cords tighter by tying a knot in them.

**Step 8:** Place the Humpstor Rifle Rack Gun Hold Down (12) over the Center Wire Brace (9) as shown. When you close the lid the magnet in the Humpstor Rifle Rack Gun Hold Down (12) will stick to the Metal Humpstor Rifle Rack Backer Plate (4). When the lid is closed the Humpstor Rifle Rack Gun Hold Down (12) will hold the guns secure.



Parts List

ITEM	QTY	PART NUMBER	DESCRIPTION
1	1	70800	Humpstor 2022 Base
2	1	70800	Humpstor 2022 Lid
3	1	1001044	Handle - 90 Degree Metal - Black
4	1	1001273	Humpstor Rifle Rack Backer Plate
5	2	1001007	Screw #10-24 x 1.75 SS
6	2	1001144	Nut Nylock #10-24 SS
7	2	1001143	Washer - Flat #10 x 1/2 OD SS
8	2	1001244	Washer - Bond Seal #10 SS
9	1	1001239	Humpstor Center Wire Brace
10	2	70805	Humpstor Rifle Rack Base Foam
11	4	70805	Humpstor Rifle Rack Filler Foam Piece
12	1	70805	Humpstor Rifle Rack Gun Hold Down
13	1	70800-Divider	Humpstor Gun Rack - Barrel End
14	1	70800-Divider	Humpstor Gun Rack - Stock End
15	4	1001279	Carriage Bolt 1/4-20 x 1.00
16	4	1001122	Nut Nylock 1/4-20
17	2	1001280	Bungee Cord 6" - Black